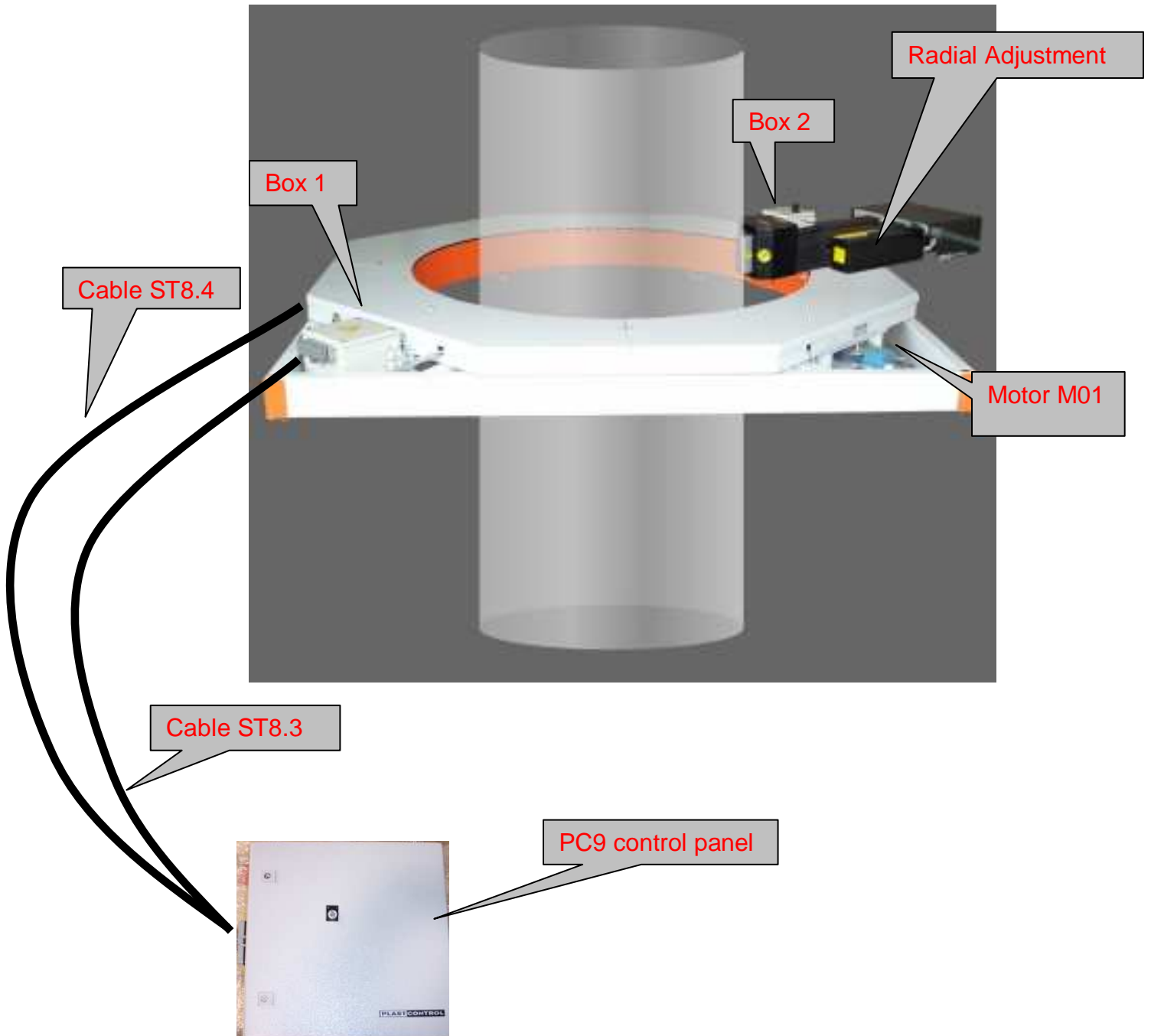
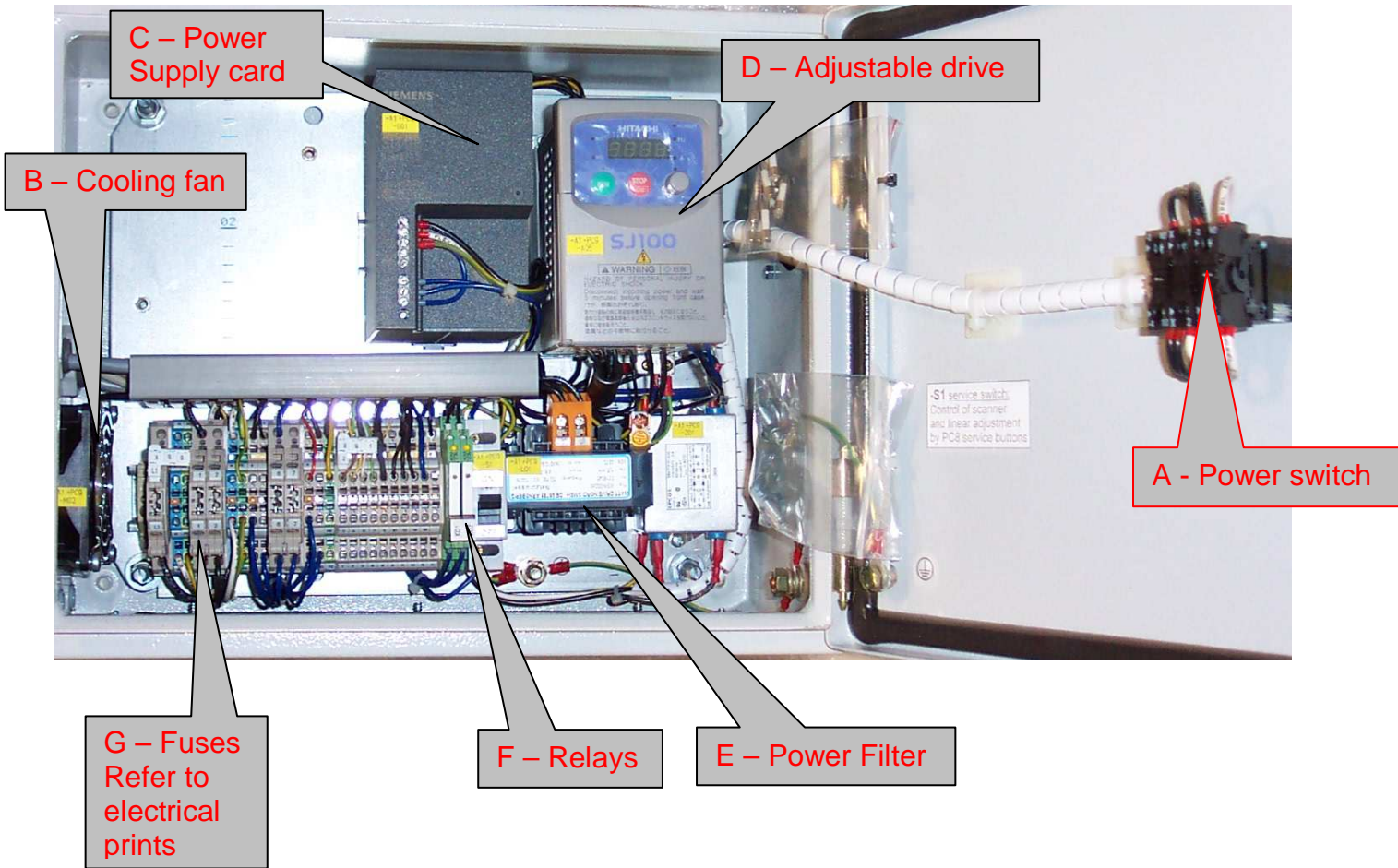


## Round Scanner Type 1400 -4500

### Parts List



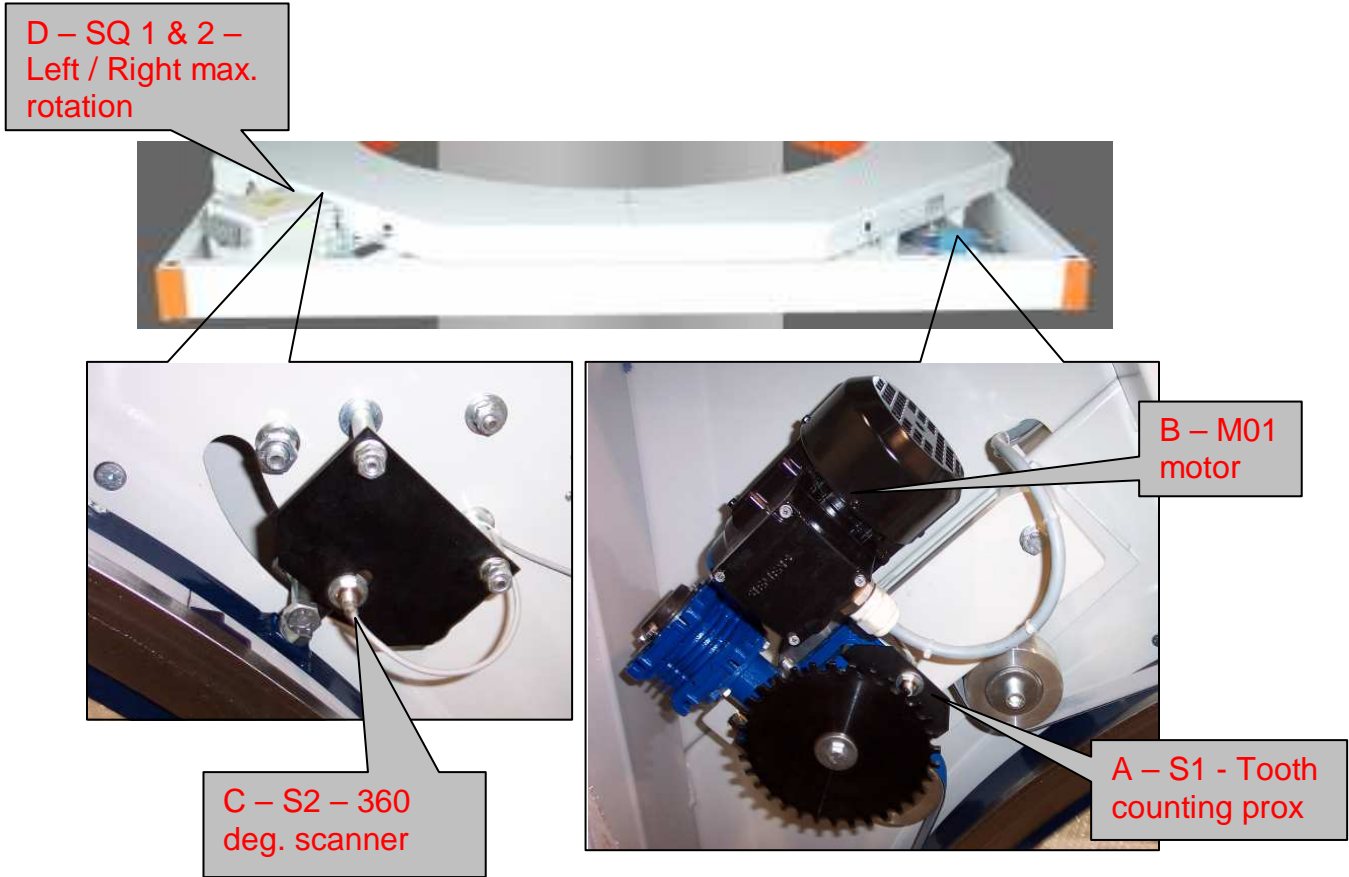
PC 9 Electrical Panel – Scanner Control



Item	Part No.	Description	Recommended spare	9/05 price *
A	109346	Q/H01 - Power switch		103.70
B	100927	M02 Cooling fan 24vdc	1	27.65
C	107608	G01 - Power Supply 24vdc / 5A		201.11
D	108746	A05 – Hitachi Frequency Converter		420.35
E	108747	L01 – Power Filter for Converter		66.37
F	106324	K01 & K02 Phoenix	2	15.82
G	100973	2.0A medium blow – package of 10	1	6.44
	100975	3.15A medium blow – package of 10	1	6.44
	100977	6.3A medium blow – package of 10	1	6.44

\* Price is only as a reference, please check with PLAST-CONTROL for current price and latest part, prices in US dollars, subject to change without notice.

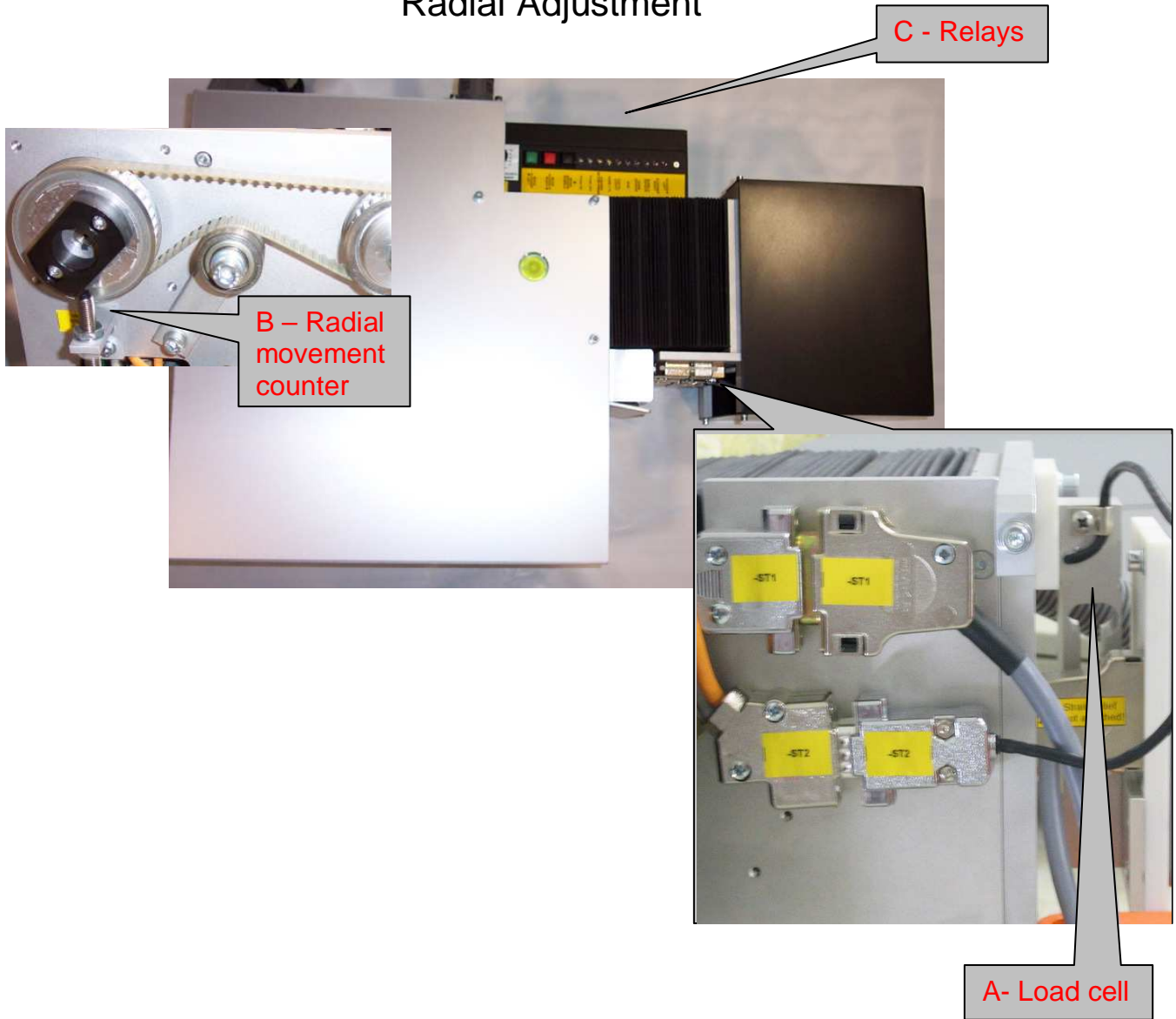
### Scanner sensors



Item	Part No.	Description	Recommended spares	9/05 price *
A	101266	S1 Tooth counting proximity	1	107.80
B	112180	M01 Motor	1	300.00
C	101266	S2 0/360 degree position proximity		107.80
D	00-SQ-SCANNER	SQ 1 & 2 – Left / Right limit switch		30.42

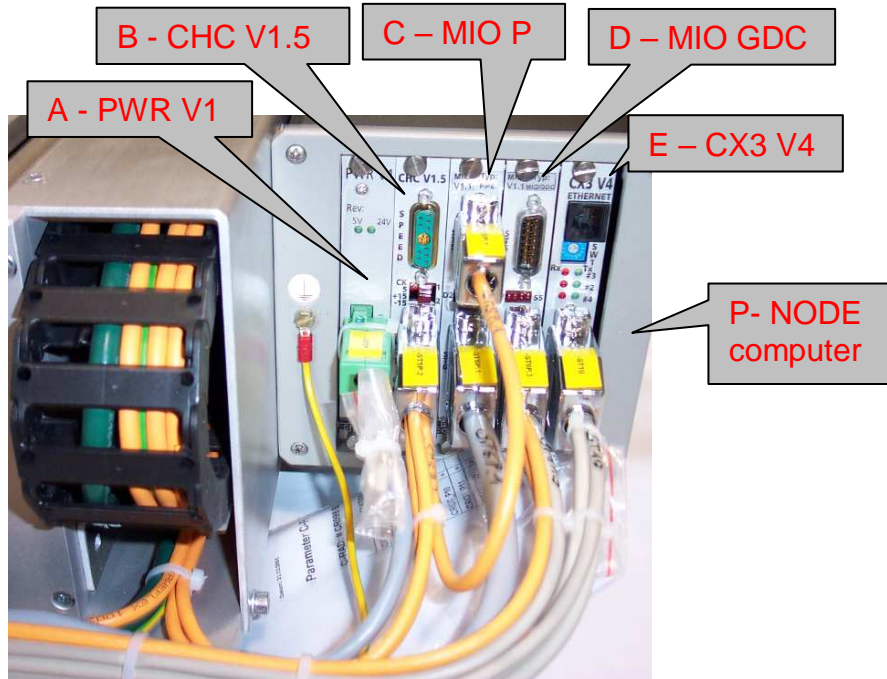
\* Price is only as a reference, please check with PLAST-CONTROL for current price and latest part, prices in US dollars, subject to change without notice.

### Radial Adjustment



Item	Part No.	Description	Recommended spares	9/05 price *
A	108999	B01 – Load cell	1	564.48
B	101266	B02 – Radial position proximity		107.80
C	107850	Relay (orange)	2	11.20

\* Price is only as a reference, please check with PLAST-CONTROL for current price and latest part, prices in US dollars, subject to change without notice.



**P-NODE for Rolling C-WHEEL**

Item	Part No.	Description	Recommended spares	9/05 price *
A	108999	PWR power supply	1	564.48
B	104587	CHC module		869.40
C	104570P/PE	MIO module for P-NODE		1,790.46
D	104570 GDC	MIO module for GDC		1,790.46
E	call	CX3 module		call

\* Price is only as a reference, please check with PLAST-CONTROL for current price and latest part, prices in US dollars, subject to change without notice.